

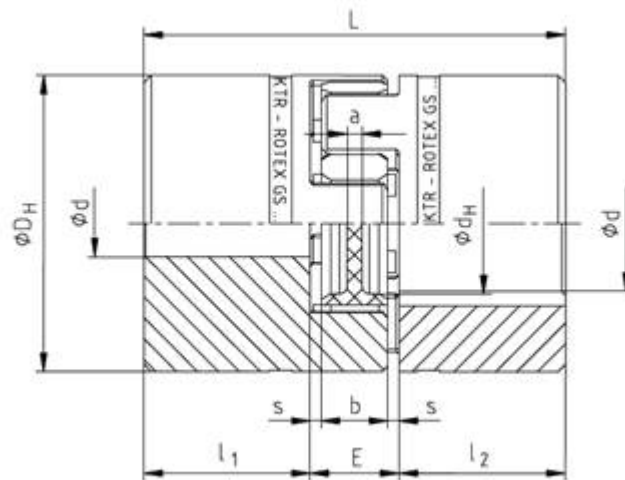
- **High-Quality Spider Design**
- **Handles the Most Demanding Applications**
- **Max Torque of 283 in-lbs**
- **Allows for Different Bore Diameters**
- **No Backlash**
- **No Maintenance**
- **Requires Three Individual Part Numbers**
- **Easy Assembly**
- **Wide Variety of Sizes**



Rotex GS® couplings are designed to transmit torque between drive and driven components via curved jaw hubs and elastomeric elements commonly known as spiders. The combination between these components provides dampening and accommodation for misalignments. This product is available in a variety of metals, elastomers and mounting configurations to meet your specific needs.

Ordering Guideline: There are three individual part numbers you will need for a complete coupler (i.e., 2 HUBS and 1 Spider). Please choose the hub sizes that match the criteria for your application. In addition to the hubs, you will need to choose a spider, from the spider section.

Customization options are available; allow Anaheim Automation to specify the coupling designed for your application!



Size	Dimensions						
	D _H	L	l ₁ , l ₂	E	b	s	a
GS14	30	35	11	13	10	1.5	2

L011405

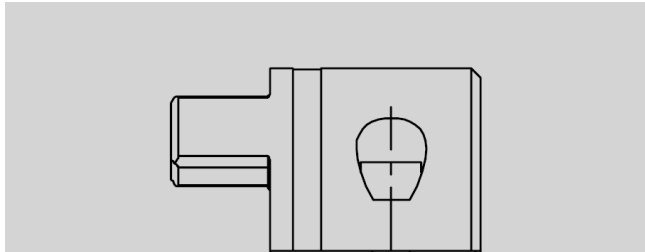
Metric Bores

Item	Bore Diameter (mm)	Keyway (mm)	Hub Design	Outside Diameter (mm)	Length Thru Bore "L ₁ L ₂ " (mm)	Coupling Length "L" (mm)	Clamping Screw Torque (Nm)	Material
KTR-BA550147150550	5	-	2.0	30	11	35	1.344	Aluminum
KTR-BA550147150650	6	-	2.0	30	11	35	1.344	Aluminum
KTR-BA550147150750	7	-	2.0	30	11	35	1.344	Aluminum
KTR-BA550147150850	8	-	2.0	30	11	35	1.344	Aluminum
KTR-BA550147150950	9	-	2.0	30	11	35	1.344	Aluminum
KTR-BA550147151050	10	-	2.0	30	11	35	1.344	Aluminum
KTR-BA550147151150	11	-	2.0	30	11	35	1.344	Aluminum
KTR-BA550147151249	12	4	2.1	30	11	35	1.344	Aluminum
KTR-BA550147151250	12	-	2.0	30	11	35	1.344	Aluminum
KTR-BA550147151449	14	5	2.1	30	11	35	1.344	Aluminum
KTR-BA550147151450	14	-	2.0	30	11	35	1.344	Aluminum
KTR-BA550147151549	15	5	2.1	30	11	35	1.344	Aluminum
KTR-BA550147151550	15	-	2.0	30	11	35	1.344	Aluminum
KTR-BA550147151650	16	-	2.0	30	11	35	1.344	Aluminum

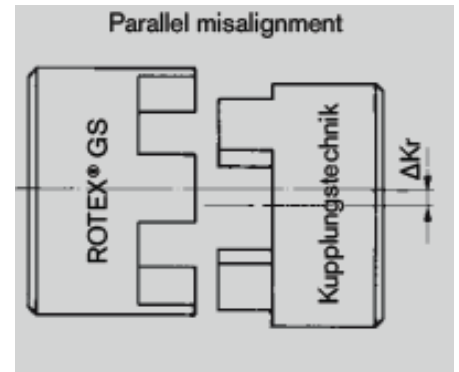
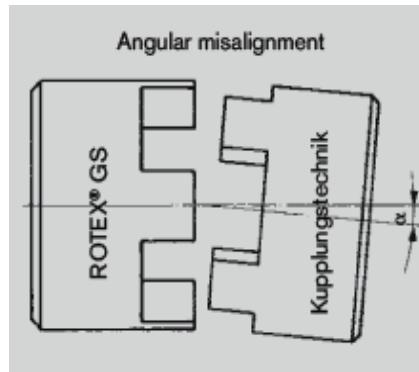
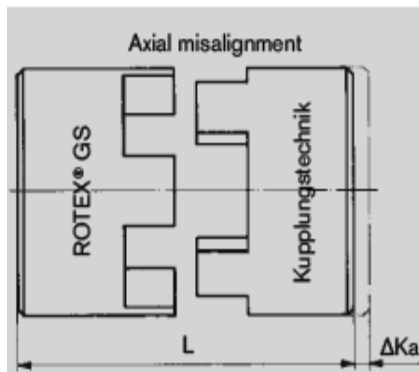
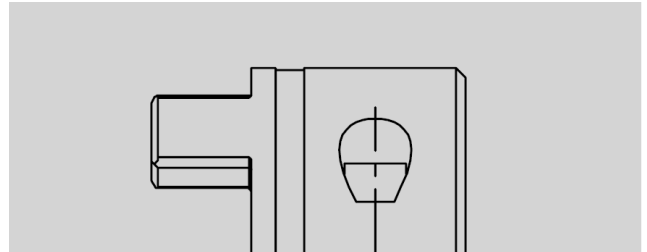
Spiders

Item	Color	Material	Type/Hardness	Clamping Hub Max Speed (rpm)	Rated Torque (in-lb)	Max Torque (in-lb)	Mass Moment of Inertia (lb-in-sec ²)
KTR-550141000003	Blue	Polyurethane	80 Shore A-GS	12,700 / 32,000	35	71	4.51 x 10 ⁻⁶
KTR-550141000001	Yellow	Polyurethane	92 Shore A-GS	12,700 / 32,000	66	133	4.51 x 10 ⁻⁶
KTR-550141000002	Red	Polyurethane	95/98 Shore A-GS	12,700 / 32,000	111	221	4.51 x 10 ⁻⁶
KTR-550141000025	Green	Hytrel	64 Shore D-H-GS	12,700 / 32,000	142	283	4.51 x 10 ⁻⁶

Clamping Hub Design 2.0: Single-Slotted, without Keyway



Clamping Hub Design 2.1: Single-Slotted, with Keyway



Size	GS Spider	GS Spider Hardness	Misalignments Standard			Misalignments DKM		
			(in) Axial ΔK_a^2	(in) Parallel ΔK_r	(degree) Angular a	(in) Axial ΔK_a^2	(in) Parallel ΔK_r	(degree) Angular a
GS14	Yellow	80 Shore A-GS		0.008	1.1		0.016	1.1
	Red	92 Shore A-GS	+0.039	0.006	1.0	+0.039	0.015	1.0
	Blue	95/98 Shore A-GS	-0.020	0.004	0.9	-0.039	0.013	0.9
	Green	64 Shore D-H-GS		0.002	0.8		0.011	0.8